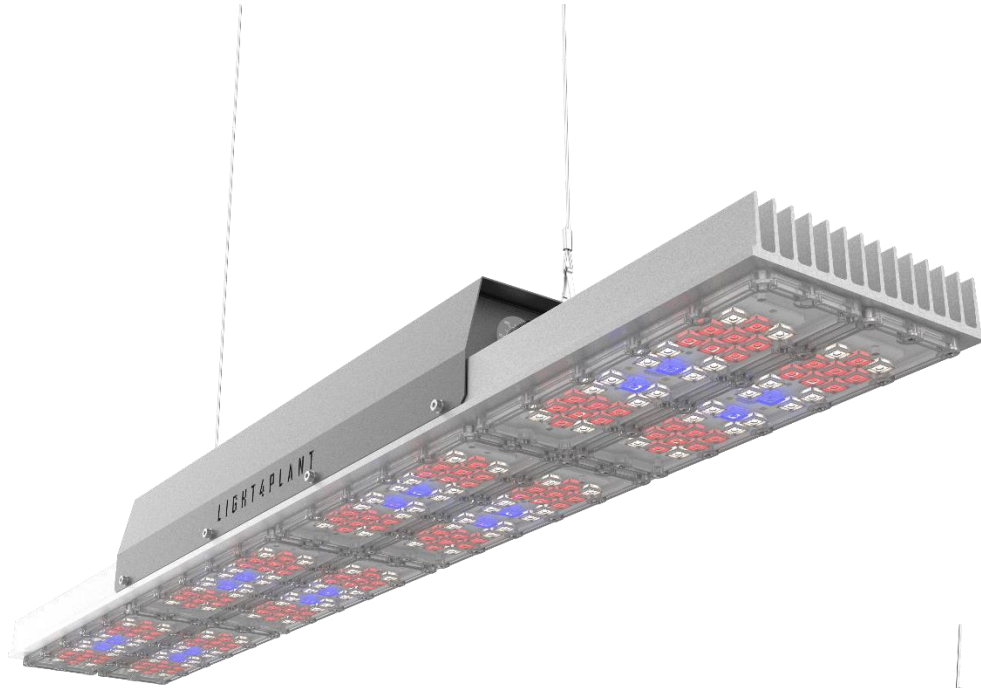




## INSTALLATION AND MAINTENANCE MANUAL FOR LIGHT FITTING

## VITIS 400



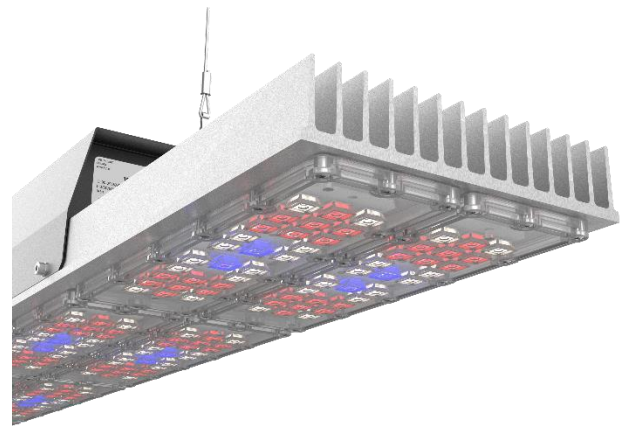
supplementary  
lighting for  
greenhouse crops



illumination of crops  
without access to  
light



photoperiod lighting to  
extend the natural length of  
the day



### Content:

- Product information and technical data
- Mounting and electrical connection
- Conditions for safety use
- Maintenance and service

Before installation, please read the user manual carefully.

# 1. PRODUCT INFORMATION AND TECHNICAL DATA

High performance LED luminaire designed by Polish manufacturer for growing plants. The product is perfect for commercial indoor and greenhouse applications. Dedicated LED modules designed and manufactured in Poland ensure the highest level of efficiency, durability and reliability. Luminaire made in I class protection.

## TECHNICAL DATA

Type	Power at 230 VAC 50Hz	Voltage	IP	Power factor	Ambient temp.
VITIS-400-A	380 W	100-305 VAC 142-431 VDC	54	≥0,95	-25 do +40°C
VITIS-400-B	396 W				
VITIS-400-C	448 W				

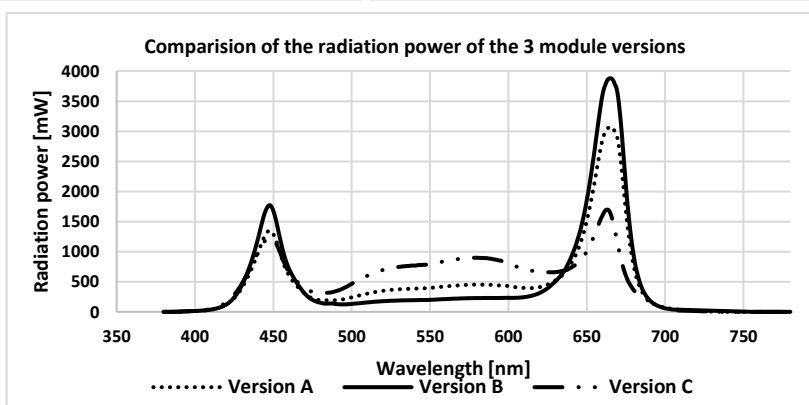
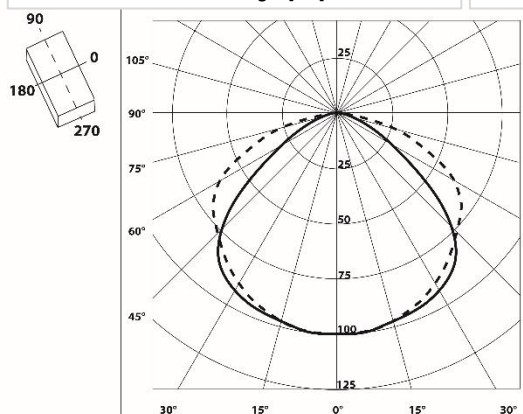
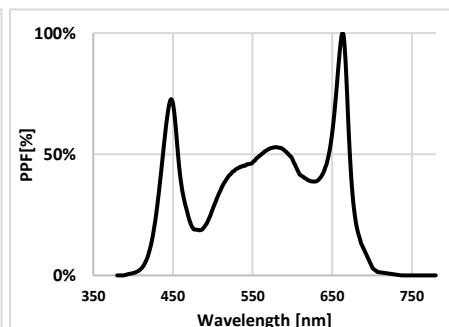
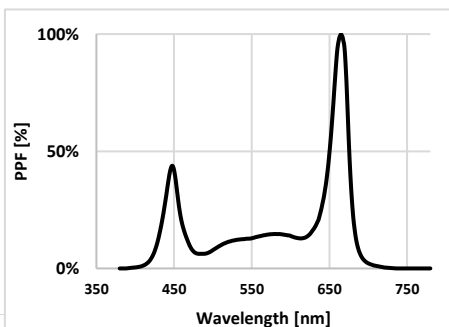
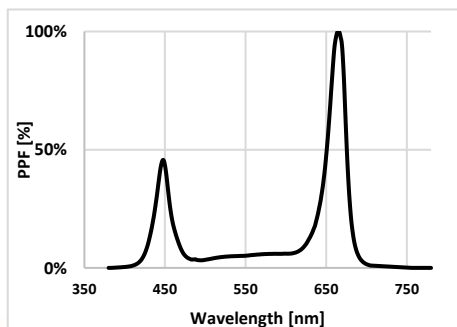
## PHOTOMETRICAL DATA

Type	PPF	Efficiency	Diodes	Lifetime L70B10
VITIS-400-A	900 μmol/s	2,4 μmol/J	144x 660nm; 32x 450nm; 48x5000K	>70000 h
VITIS-400-B	870 μmol/s	2,2 μmol/J	112x 660nm; 16x 450nm; 96x5000K	
VITIS-400-C	840 μmol/s	1,9 μmol/J	32x 660nm; 192x5000K	

Version A

Version B

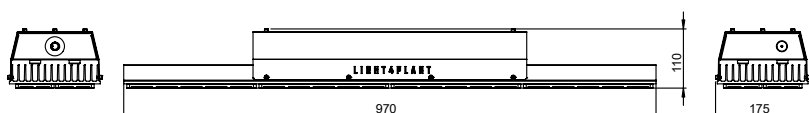
Version C



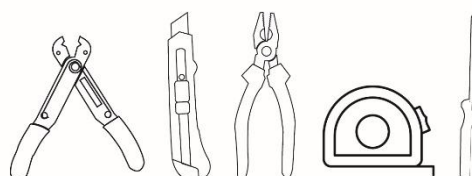
## CONSTRUCTION

Power supply casing is made of powder-coated galvanized steel sheet. Modules placed on an aluminum heat sink. Optics made of polycarbonate.

## DIMENSIONAL DRAWING



## NECESSARY TOOLS



## 2. MOUNTING AND ELECTRICAL CONNECTION

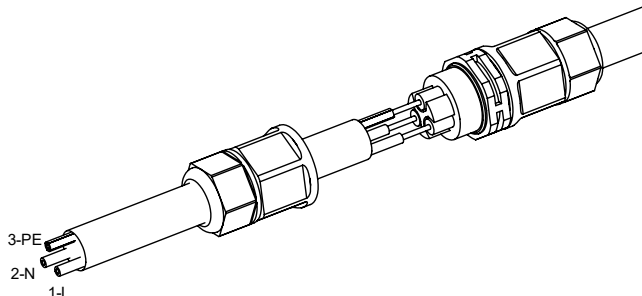
### SAFETY RULES

- Carefully read all the information included in the manual before mounting the light fitting.
- General safety rules must be followed.
- Failure to comply with rules of the installation and use can lead to personal injury or property losses. Light4Plant company takes no responsibility in such cases.
- Failure to comply with rules included in manual results with void of the manufacturer warranty.

The luminaire is equipped with one mounting kit, intended for suspension.

### ELECTRICAL CONNECTION

- insert the power cord into a cable joint,
- carefully strip the cable cores (8-10mm),
- screw the individual cores according to the diagram (1-L, 2-N, 3-PE)
- tightly clamp the power cord in the gland using two wrenches,
- check the effectiveness of grounding.



### DIMMING THE LUMINAIRE

The luminaire is equipped with one potentiometer for dimming the entire luminaire.

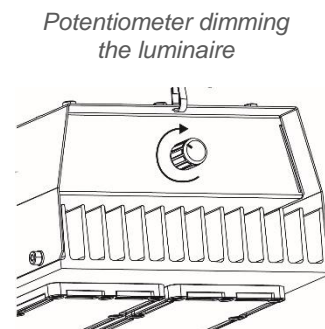
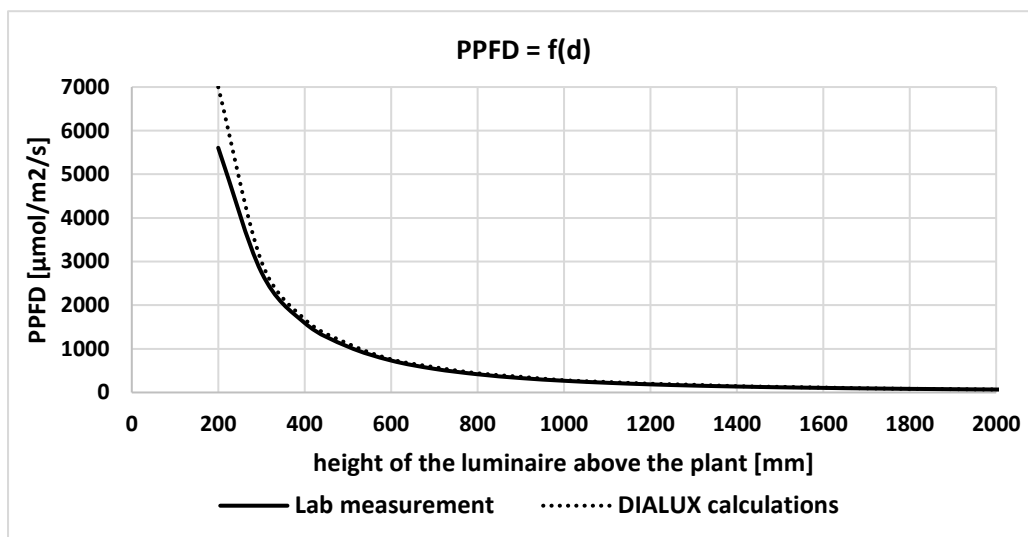


TABLE PPFD DEPENDING ON THE HEIGHT OF LUMINAIRE SUSPENSION

Area 1.2m x 1.2m

253	526	735	528	254	310	499	617	499	305	333	465	535	648	332	342	434	482	435	338	341	408	441	408	336
302	668	983	663	306	371	608	776	607	373	392	552	644	547	392	404	504	564	508	394	393	648	513	469	392
329	722	1058	722	320	394	654	832	649	393	418	585	691	587	417	415	535	596	533	415	409	492	535	494	408
306	669	980	668	306	369	610	775	606	367	392	552	649	549	396	393	507	565	507	394	394	474	507	470	394
256	527	737	525	254	307	496	617	501	305	338	464	536	469	337	340	430	478	436	344	340	407	440	413	343
Height 0.4m					Height 0.5m					Height 0.6m					Height 0.7m					Height 0.8m				

### 3. CONDITIONS OF SAFETY USE

---

- It is forbidden to use a damaged or malfunctioning luminaire. Installation checks must be carried out to detect any anomalies.
- Each luminaire is equipped with installation and maintenance manual, which should be kept until the end of the luminaire's life. Each luminaire has a label with technical data and a warning label saying "DO NOT OPEN WHEN ENERGIZED".
- Operating temperature range must be respected, exceeding the range will lead to faster wear or damage to the luminaire. It will also void the manufacturer's warranty.
- To power the luminaire, use a 3-core wire (with PE) with an outer diameter ranging from 4 to 7mm. Use power cords with a cross-section of 1 to 4mm<sup>2</sup>.
- Maximum cross current I = 16A.
- Optics are made of polycarbonate, so they must not be exposed to chemicals that can damage them. Especially solvents like: ether, ethyl, acetone, chlorine and oil.
- The luminaire is equipped with a warning label with the following warnings:



Do not stare at the working light source



Risk of electric shock

### 4. MAINTENANCE AND SERVICE

---

- It is required to disconnect the power supply from the luminaire before carrying out any maintenance work.
- All replacement parts must be ordered from the luminaire manufacturer.
- Any repairs may only be performed by the manufacturer or an authorized service workshop.
- The light source used in this luminaire should be replaced only by the manufacturer, its service agent or a similarly qualified person.
- During transport light fittings shouldn't be exposed to precipitation or mechanical shock.
- Luminaires may be stored only in sheltered warehouses within temperature from + 5°C to + 35°C and humidity lower than 75%. No corrosion causing vapors or gases should be present.

**INSPECTIONS:** the luminaire should be inspected at least once a month without opening it. Check the condition of the power cables (insulation damage, cracks, burns, etc.). The cables must not be bent into sharp angles. The external parts should be inspected. There must be no cracks or traces of corrosion. Mounting bolts must be tight. The cleanliness of the external surfaces of the luminaire should be checked. The luminaire cannot be dirty with paint or grease. Do not allow dust and dirt to accumulate on the luminaire. Check the readability of the labels. Any identified irregularities should be removed immediately.

**CLEANING:** do not allow dust and dirt to accumulate on the luminaire. The luminaires should be cleaned with compressed air and a soft cloth or a soft brush. If necessary, use water and / or neutral detergent, but do not use chemicals that may damage any part of the luminaire.

**EQUIPMENT DISPOSAL:** User must obey relevant rules and regulations about disposal of wasted equipment valid in their country.

**WARRANTY:** It is forbidden to open the luminaire. Breaking the seal will void the warranty. It is not allowed to make changes to the luminaire structure on your own. Any unauthorized interventions may reduce the functionality or damage the device, and in special cases may pose a threat to life or health. At the same time, it releases the manufacturer from any warranty liability. Detailed information can be found in the document "General terms and conditions of the Light4Plant warranty available at [www.light4plant.pl](http://www.light4plant.pl).